

ASSI®

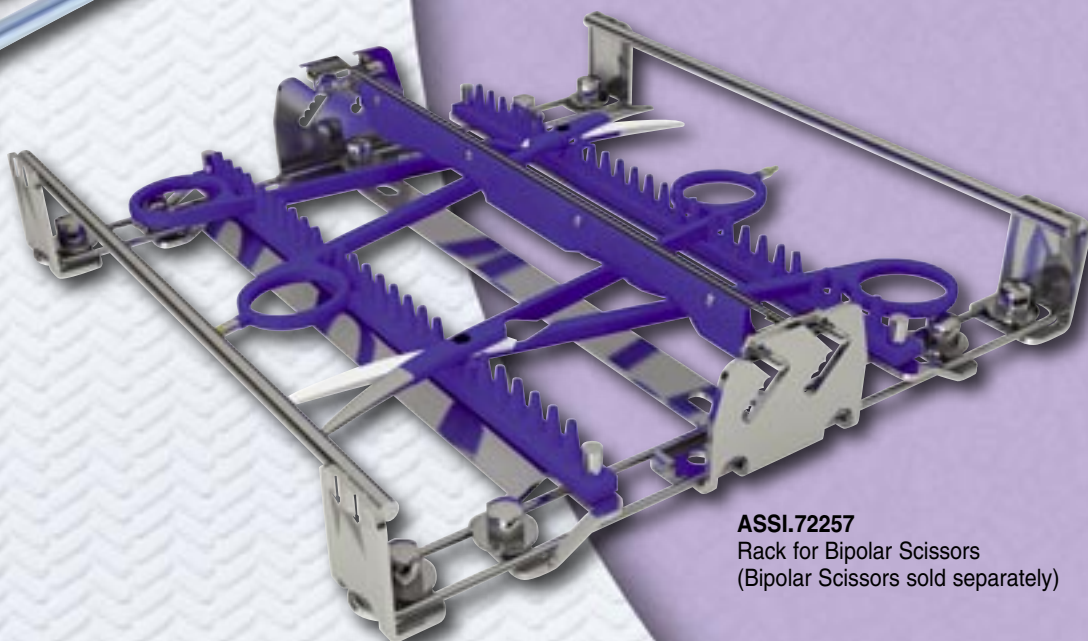
Bipolar Scissors
Bipolar Clamp Scissors
Rack and Basket



ASSI.BPS18233
Bipolar Metzenbaum Scissors



ASSI.BPCS19244
Bipolar Clamp-Scissors



ASSI.72257
Rack for Bipolar Scissors
(Bipolar Scissors sold separately)

ASSI® 

ACCURATE SURGICAL & SCIENTIFIC INSTRUMENTS®
For diamond perfect performance®

accurate surgical & scientific instruments corporation

300 Shames Drive, Westbury, NY 11590 • 800.645.3569 516.333.2570 fax: 516.997.4948 west coast: 800.255.9378
Orders: orders@accuratesurgical.com • Info: assi@accuratesurgical.com • www.accuratesurgical.com

Note: Not all ASSI products shown in our literature or on our website are available for sale in Canada.

ASSI® Bipolar Scissors

ASSI® Bipolar Scissors enable cutting and dissection with simultaneous bipolar coagulation. They can also be used for precise pinpoint or zone coagulation of blood vessels and tissue. The various working lengths allow the scissors to be used for a large number of applications in open surgery.

A patented design developed by Dr. J. Manushkian, ensures that the scissors are easy to use. The electrical current passes from one scissor blade to the other via the scissor screw (see fig. 1 and 2). The power cable only needs to be attached to one ring, significantly reducing interference during a procedure.

SuperCut Scissors

ASSI.BPS18253

Bipolar SuperCut Scissors, 18cm curved blades, round plug

ASSI.BPS21253

Bipolar SuperCut Scissors, 21cm curved blades, round plug

Standard Model

ASSI.BPS18233

Bipolar Metzenbaum Scissors, 18cm curved blades, round plug

ASSI.BPS21233

Bipolar Metzenbaum Scissors, 21cm curved blades, round plug

ASSI.BPS23233

Bipolar Metzenbaum Scissors, 23cm curved blades, round plug

ASSI.BPS28233

Bipolar Metzenbaum Scissors, 28cm curved blades, round plug

Delicate Model

ASSI.BPS18243

Bipolar Scissors, 18cm delicate curved blades, round plug

ASSI.BPS21243

Bipolar Scissors, 21cm delicate curved blades, round plug

ASSI.BPS23243

Bipolar Scissors, 23cm delicate curved blades, round plug

ASSI.BPS28243

Bipolar Scissors, 28cm delicate curved blades, round plug

Micro Model

ASSI.BPS13263

Micro Bipolar Scissors, 13cm curved slim thin blades, round plug

ASSI.BPS14263

Micro Bipolar Scissors, 14cm curved slim thin blades, round plug

ASSI.BPS17263

Micro Bipolar Scissors, 17cm curved slim thin blades, round plug

ASSI.BPS23263

Micro Bipolar Scissors, 23cm curved slim thin blades, round plug

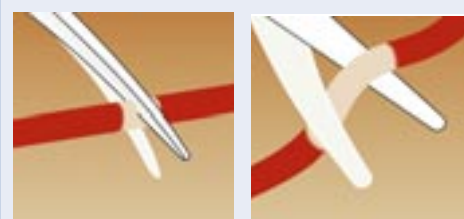
ASSI.BPS28263

Micro Bipolar Scissors, 28cm curved slim thin blades, round plug



Easy handling

The power is supplied by means of a plug-in connection to only one ring of the handle. This simplifies handling during a procedure.



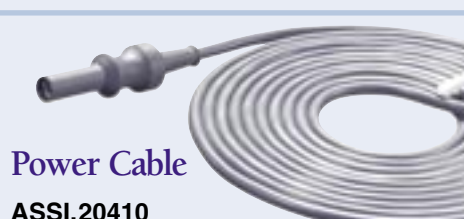
Coagulation during cutting

Coagulation prior to cutting



Pinpoint coagulation

Zone coagulation



Power Cable

ASSI.20410

Power Cable, silicone,
2 banana plugs / round plug, 10 ft.

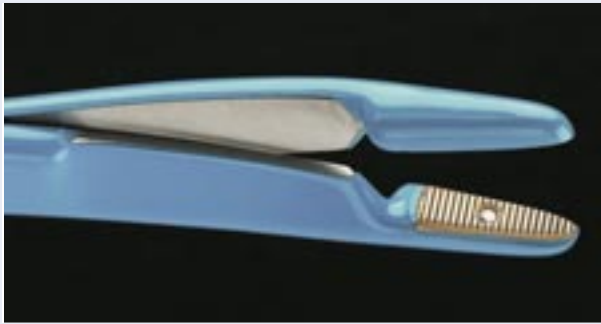
ASSI.20816

Power Cable, silicone,
2 banana plugs / round plug, 16 ft.

Patented

ASSI® Bipolar Clamp Scissors

These new Bipolar Clamp Scissors provide powerful grasping and compression of tissue, combined with bipolar coagulation or sealing of blood vessels. Then the tissue may be cut without changing instruments.



ASSI.BPCS14244

Bipolar Clamp-Scissors
14 cm, insulated, straight serrated, round plug

ASSI.BPCS14245

Bipolar Clamp-Scissors
14 cm, insulated, curved serrated, round plug

ASSI.BPCS19244

Bipolar Clamp-Scissors
19 cm, insulated, straight serrated, round plug

ASSI.BPCS19245

Bipolar Clamp-Scissors
19 cm, insulated, curved serrated, round plug



Power Cable

ASSI.20420

Cable, silicone, for Bipolar Clamp Scissors, 10 ft., 2 banana plugs (shown)

ASSI.20430

Cable, silicone, for Bipolar Clamp Scissors, 15 ft., 2 banana plugs

ASSI.20597

Cable, silicone, for Bipolar Clamp Scissors, 10 ft., Valleylab plug (shown)

ASSI.20697

Cable, silicone, for Bipolar Clamp Scissors, 15 ft., Valleylab plug



ASSI.20597



ASSI.20420

Rack and Basket on back page 

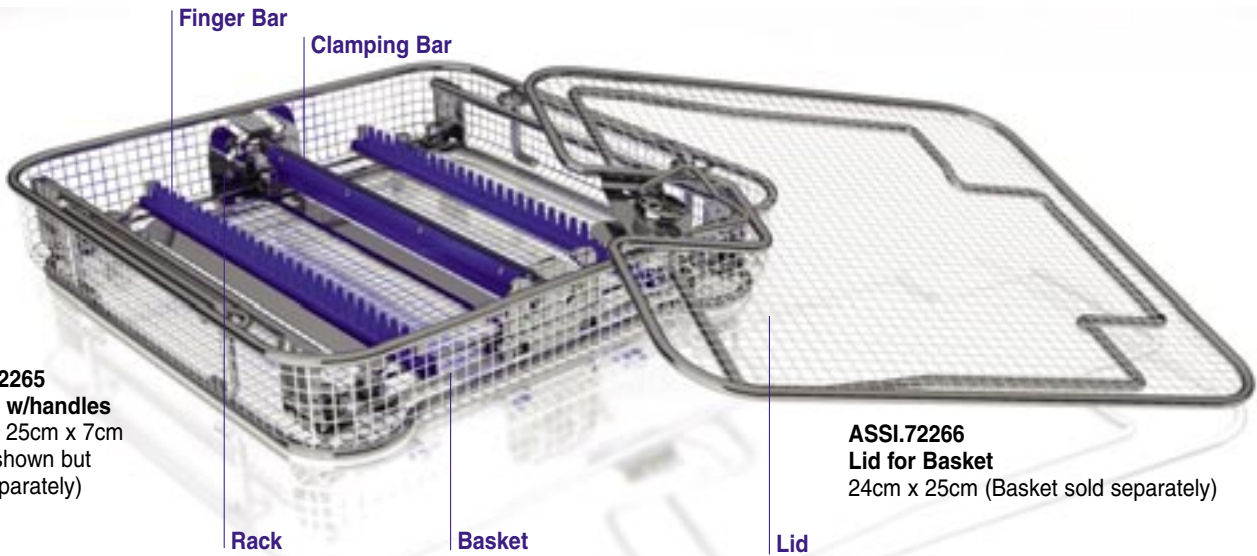
Patented

assi® 
ACCURATE SURGICAL & SCIENTIFIC INSTRUMENTS®
For diamond perfect performance®

accurate surgical & scientific instruments corporation
516.333.2570 • fax: 516.997.4948 west coast: 800.255.9378
800.645.3569 • Info: assi@accuratesurgical.com

Orders: orders@accuratesurgical.com www.accuratesurgical.com

Note: Not all ASSI products shown in our literature or on our website are available for sale in Canada.



ASSI.72265
Basket w/handles
 24cm x 25cm x 7cm
 (Rack shown but
 sold separately)

ASSI.72266
Lid for Basket
 24cm x 25cm (Basket sold separately)



ASSI.72257
Rack for Bipolar Scissors
 23cm x 22cm x 5cm, **Small**

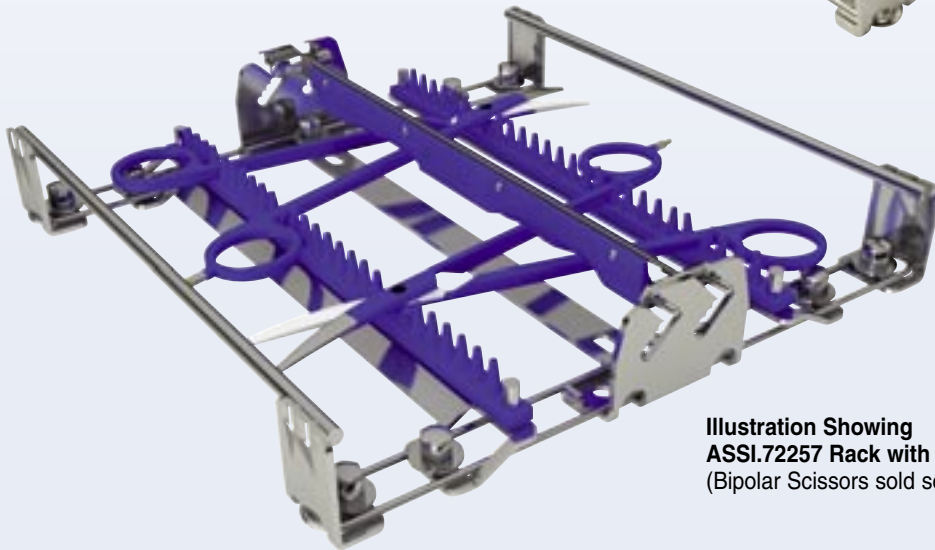


Illustration Showing
ASSI.72257 Rack with Bipolar Scissors
 (Bipolar Scissors sold separately)