

ASSI® Lalonde® Bone Clamps

work like Towel Clips but are designed to fit around bones

ASSI.AG77426

Lalonde Oblique/Spiral Fracture Small Bone Clamp with K-wire Guide, Accepts **K-wire** in sizes .028", .035", .045"



NEW!
K-wire
Guided
Bone Clamp

ASSI.AG 77726

Lalonde Oblique/Spiral Fracture Small Bone Clamp



IDEAL
for
Metacarpals!



ASSI.AG25526

Lalonde Dynamic Compression Transverse Metacarpal Fracture Bone Clamp

Designed by D.H. Lalonde, B.Sc., M.Sc., M.D., FRCSC, Saint John, N.B., Canada. Patented.



accurate surgical & scientific instruments corporation
800.645.3569 516.333.2570 fax: 516.997.4948 west coast: 800.255.9378
Info: assi@accuratesurgical.com • Orders: orders@accuratesurgical.com
www.accuratesurgical.com

ASSI® Introduces

NEW K-wire Guided Lalonde® Bone Clamp for Reducing Oblique/Spiral Fractures

With the K-wire Guided Lalonde Bone Clamp, the surgeon can select the ideal location for fracture fixation by quickly and easily firing the K-wire through the guide into an exact position on the bone.



ASSI.AG77426
 Lalonde Oblique/Spiral Fracture Small Bone Clamp with K-wire Guide, Accepts **K-wire** in sizes .028", .035", .045"

How to get a better grip on bones in tight spaces.



The Lalonde® Bone Clamp combines a rugged ratchet mechanism with a **unique perpendicular design which allows the surgeon to slip it into tight spaces** when reducing oblique/spiral fractures. And because the Lalonde® Bone Clamp fits in the wound snugly and easily, it increases surgical precision while decreasing the surgeon's effort.



ACCURATE SURGICAL & SCIENTIFIC INSTRUMENTS®
 For diamond perfect performance®

accurate surgical & scientific instruments corporation

800.645.3569 516.333.2570 fax: 516.997.4948 west coast: 800.255.9378

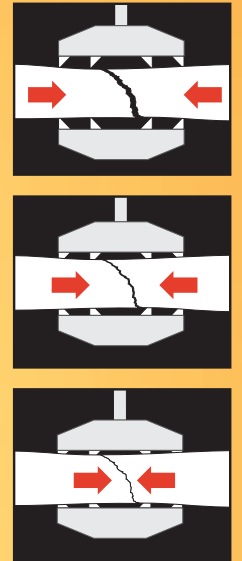
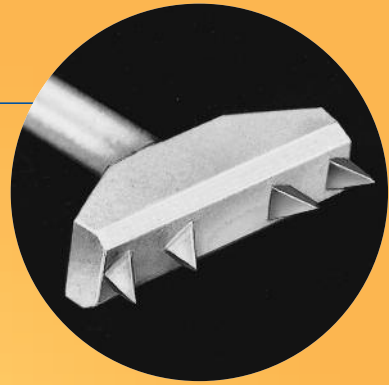
Info: assi@accuratesurgical.com • Orders: orders@accuratesurgical.com

www.accuratesurgical.com

Designed by D.H. Lalonde, B.Sc., M.Sc., M.D., FRCSC, Saint John, N.B., Canada. Patented.

It's all in the Shape of the Teeth.

- The flat sloping medial edge of the teeth forces the bone medially as the teeth enter the bone.
- The sharp cutting lateral edge of the teeth cuts through the advancing bone.



ASSI.AG25526

Lalonde Dynamic Compression Transverse Metacarpal Fracture Bone Clamp (Narrow Arm)

**IDEAL
for
Metacarpals!**



ASSI.AG28826

Lalonde Dynamic Compression Transverse Fracture Bone Clamp for radius, ulna, mandibula and fibula (Wide Arm)



The Lalonde® Dynamic Compression Bone Clamp's uniquely angled sharp teeth deliver a dynamic compression force at the same time as they hold the reduction of transverse fractures.

- The Lalonde® Dynamic Compression Bone Clamp will not slip off the bone ends, like the towel clip, due to its sharp opposing points.
- Your hands remain free to check the arc of finger rotation or to apply plate and screw internal fixation.

Designed by D.H. Lalonde, B.Sc., M.Sc.,
M.D., FRCS(C), Saint John, N.B., Canada. Patented.

assi® 
ACCURATE SURGICAL & SCIENTIFIC INSTRUMENTS®
For diamond perfect performance®

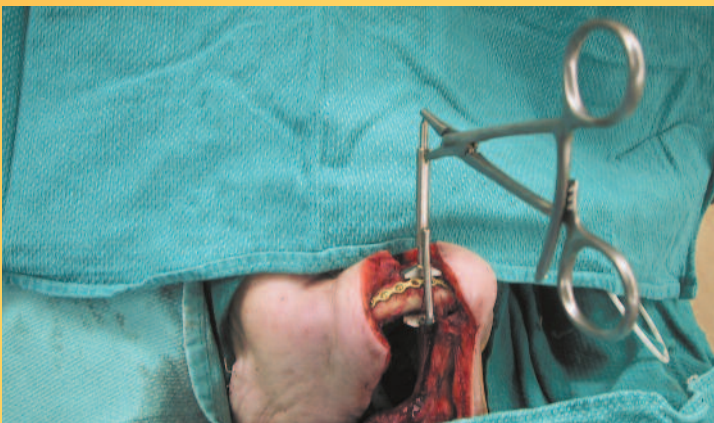
accurate surgical & scientific instruments corporation

800.645.3569 516.333.2570 fax: 516.997.4948 west coast: 800.255.9378

Info: assi@accuratesurgical.com • Orders: orders@accuratesurgical.com

www.accuratesurgical.com

ASSI® Lalonde® Dynamic Compression Bone Clamps Deliver a Dynamic Compression Force to Transverse Fractures



Lalonde® Dynamic Compression Bone Clamp reduces mandibular osteotomy for easy hands free plate fixation.

Lalonde® Dynamic Compression Bone Clamp holds the transverse metacarpal fracture reduced while plate fixation is accomplished.



Metatarsal reduction with plate and screw fixation.

Designed by D.H. Lalonde, B.Sc., M.Sc., M.D., FRCSC, Saint John, N.B., Canada. Patented.



accurate surgical & scientific instruments corporation
800.645.3569 516.333.2570 fax: 516.997.4948 west coast: 800.255.9378
Info: assi@accuratesurgical.com • Orders: orders@accuratesurgical.com
www.accuratesurgical.com

Look inside for more information on Lalonde® Bone Clamps

ASSI® Lalonde® Bone Clamps for Reducing Oblique/Spiral Fractures

Phalanx, metacarpal, radius, ulna, metatarsal, and fibula.

**IDEAL
for
Metacarpals!**

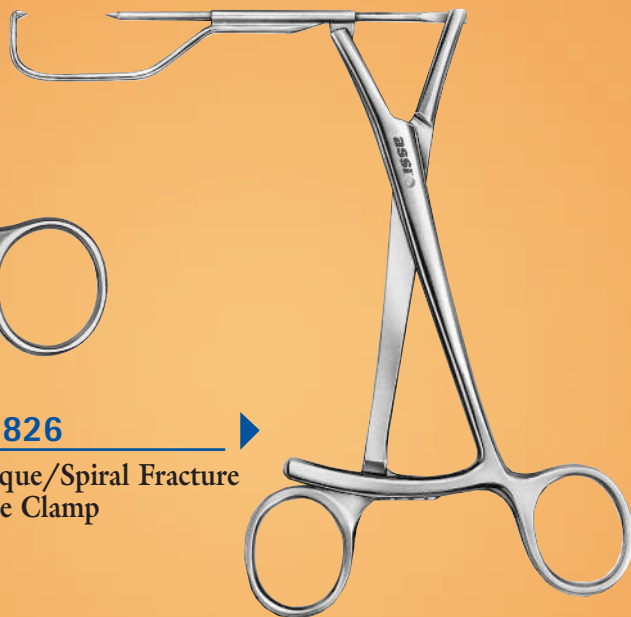


◀ **ASSI.AG77726**

Lalonde Oblique/Spiral Metacarpal Fracture Small Bone Clamp

ASSI.AG77826 ▶

Lalonde Oblique/Spiral Fracture Medium Bone Clamp

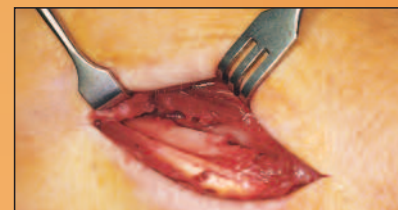


ASSI.AG77926 ▶

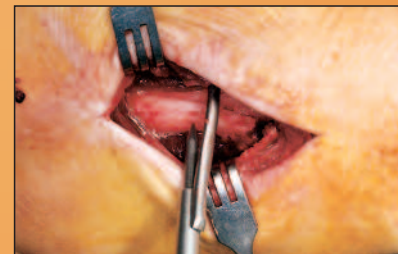
Lalonde Oblique/Spiral Fracture Large Bone Clamp



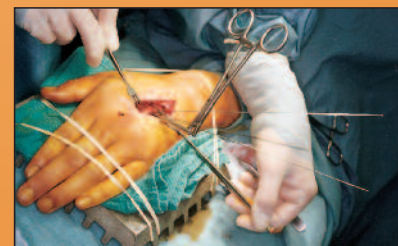
Spiral metacarpal fracture with scissoring.



Tight intermetacarpal space. Difficult for conventional bone clamps as well as towel clips to work in. Both struggle to reduce the bone well.



The Lalonde® Bone Clamp has 2 sharp points that fix the bone BETTER than a towel clip because the Lalonde® Bone Clamp fits easily around the bone.



The hands free reduction of the bone is held by the Lalonde® Bone Clamp. A bone fixation method can then be chosen. K-wires were used in this instance.



ACCURATE SURGICAL & SCIENTIFIC INSTRUMENTS®
For diamond perfect performance®

accurate surgical & scientific instruments corporation

800.645.3569 516.333.2570 fax: 516.997.4948 west coast: 800.255.9378

Info: assi@accuratesurgical.com • Orders: orders@accuratesurgical.com

www.accuratesurgical.com

Designed by D.H. Lalonde, B.Sc., M.Sc., M.D., FRCS, Saint John, N.B., Canada. Patented.

The complete line of ASSI® Lalonde® Bone Clamps

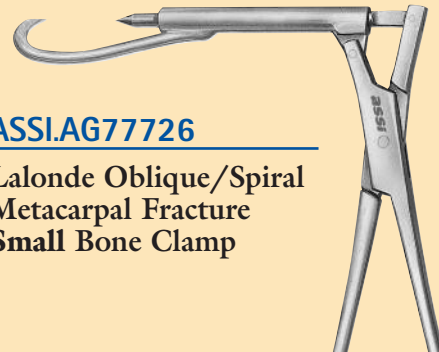
OBLIQUE/SPIRAL K-WIRE GUIDED BONE CLAMP



ASSI.AG77426

Lalonde Oblique/Spiral Fracture Small Bone Clamp with K-wire Guide, Max. K-Wire: .045" dia.

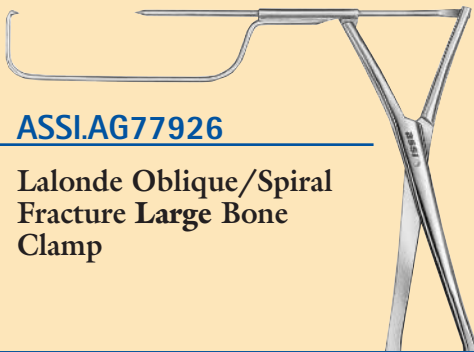
OBLIQUE/SPIRAL METACARPAL BONE CLAMP



ASSI.AG77726

Lalonde Oblique/Spiral Metacarpal Fracture Small Bone Clamp

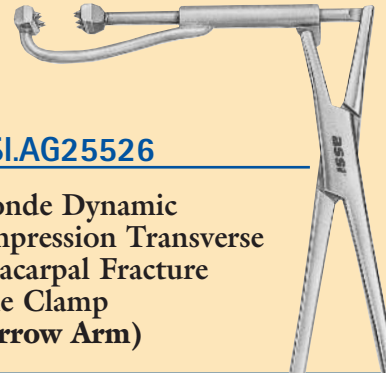
OBLIQUE/SPIRAL LARGE BONE CLAMP



ASSI.AG77926

Lalonde Oblique/Spiral Fracture Large Bone Clamp

DYNAMIC COMPRESSION BONE CLAMP



ASSI.AG25526

Lalonde Dynamic Compression Transverse Metacarpal Fracture Bone Clamp (Narrow Arm)

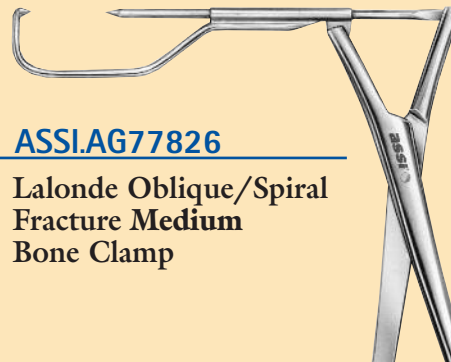
DYNAMIC COMPRESSION BONE CLAMP



ASSI.AG28826

Lalonde Dynamic Compression Transverse Fracture Bone Clamp (Wide Arm)

OBLIQUE/SPIRAL MEDIUM BONE CLAMP



ASSI.AG77826

Lalonde Oblique/Spiral Fracture Medium Bone Clamp



ACCURATE SURGICAL & SCIENTIFIC INSTRUMENTS®
For diamond perfect performance®

accurate surgical & scientific instruments corporation

800.645.3569 516.333.2570 fax: 516.997.4948 west coast: 800.255.9378

Info: assi@accuratesurgical.com • Orders: orders@accuratesurgical.com

www.accuratesurgical.com